



CMVTC AI Dashcam 2022



MODEL AI-DSM-4G-DASHCAM 1080P, Built-in ADAS

OPTIONAL: AI-DSM CAMERA KIT

✦ DSM (720P /1080P)

▶ Product introduction

The Dashcam is a powerful and easy-install driver assist device for vehicle view and management with remote real-time monitoring. We offer the flexible combinations including the built-in 2 Megapixel road-facing ADAS Dashcam kit built-in with GPS + 4G + Wi-Fi + Bluetooth modules with an optional 1080P/720P DSM (Driver Status Monitor) camera. The CMVTC AI-DSM-4G-DashCam supports H.265/H.264 with Dual SD cards (256 GB each) storage, recording real-time video, GPS, and alarm data, video data encryption and much more.

▶ Features

- ▶ Internal GPS, 4G/LTE, Wi-Fi, Bluetooth modules.
- ▶ Integrated 3 axis accelerometer (G-Sensor) and 3 axis gyroscopes, to detect crash, harsh breaking, acceleration and cornering.
- ▶ 2.0 MB Pixels 1080P road-facing ADAS Camera.
- ▶ Supports optional 2.0/1.0 Mega pixel DSM (Driver Status Monitor) camera.
- ▶ Support ADAS (Advanced Driver Assistant System) [optional]
- ▶ Support DSM (Advanced Driver Status Monitor System) [optional]
- ▶ Support H.265 / H.264 video compression with encryption.
- ▶ 2 SD Card Slots, up to 256 GB each for a total of 500GB total storage.
- ▶ 9V-32V DC with option UPS battery backup module.
- ▶ Operating Temperature -40°C ~ + 80°C

▶ Specification

J13A

Model	AI-DSM-4G-DashCam
Operation System	Linux
AI	Support ADAS, DSM, Face recognition



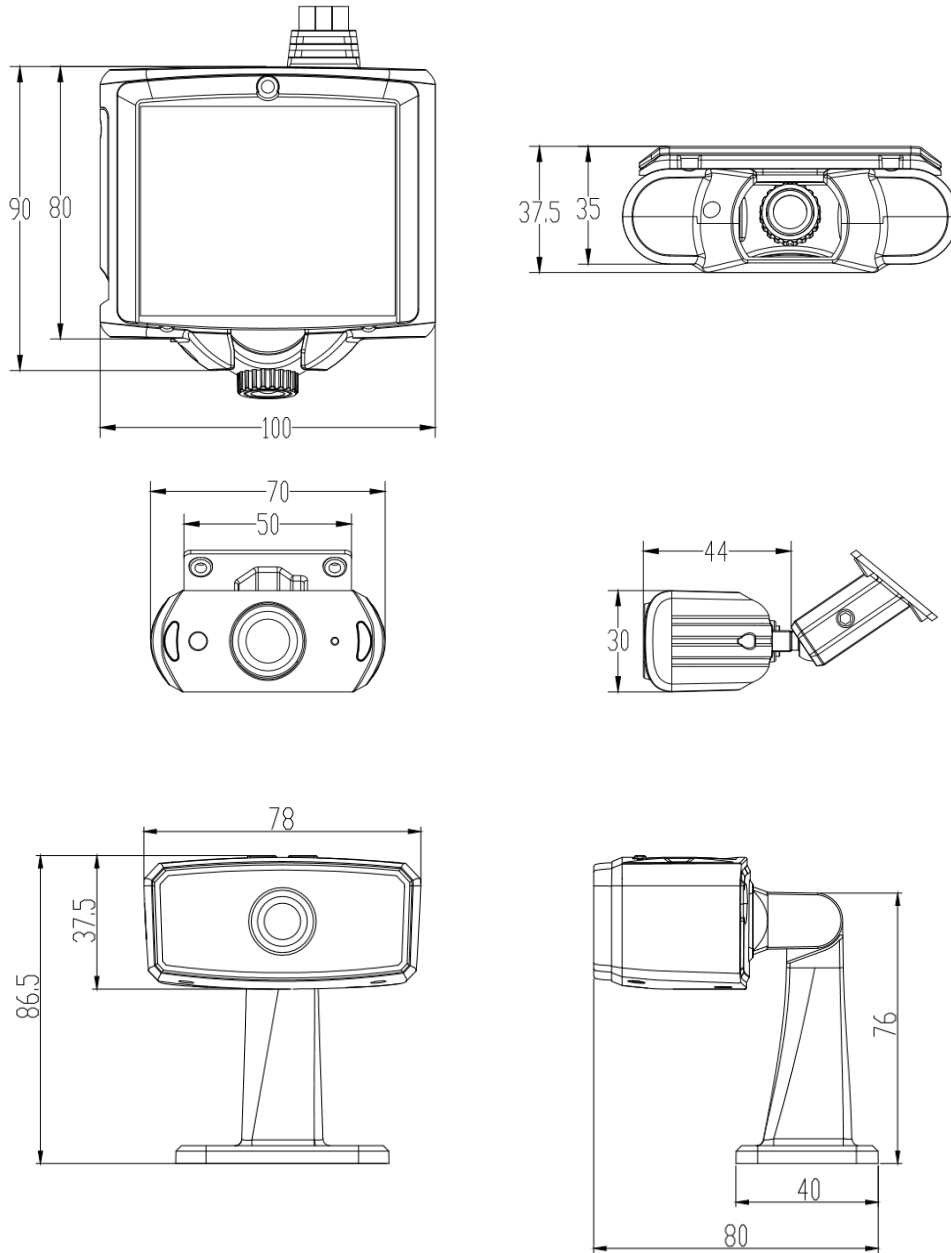
CMVTC AI Dashcam 2022

Video Coding	H.265 / H.264
Wireless Communication	Supports 3G / 4G / LTE
	Supports Wi-Fi
	Supports Bluetooth
Storage	2 SD Card Slots, Support 256G each
GPS-Module	Included Passive GPS Module
IO input	2 Channels
RS232	1 Channel
Mini USB	1 Channel (For debugging)
Voltage Output	12V
Audio Input	Internal MIC
Audio Output	Internal speaker
Battery	Optional, supports external battery (UPS)
G-Sensor	Accelerometer, Gyroscope 6 axis
Horizontal Resolution	1080P
Effective Pixel	1920(H)*1080(V)
Lens and Horizontal angle of view	2.8mm HD Lens Road Camera, >90°
Operating Voltage	9V-32V DC
Power Consumption	7W
Dimensions	100 x 90 x 37.5 mm
Net Weight	450 g
Weatherproof/Waterproof	N/A
Operating Temperature	-40°C ~ +80°C

DSM (optional)

Model	AI-DSM Camera Kit
Camera type	AHD DSM Camera
Image Sensor	1/2.9" CMOS
TV System	PAL / NTSC
Horizontal Resolution	1080P/720P
Lens	6mm HD (60°)
Effective Pixel	1080P:1920(H) x 1080(V); 720P:1280(H) x 720(V)
Min illumination	0.01Lux @ (F1.2, AGC ON)
S/N Ratio	More Than 72dB (AGC OFF)
WDR	D-WDR
IR	Support
Tilt Adjusting	Adjustable
Power Supply	12V DC ±10%
Dimensions	80 x 86.5 x 37.5 mm
Net Weight	150 g
Weatherproof/Waterproof	N/A

► **Size**



Contact us today for pricing.

Brought to you by CMVTC in Canada



CMVTC AI Dashcam 2022



- Forward Collision
- Lane Departure
- Close Following Distance
- Pedestrian Collision
- Frequent Lane Change
- Over Limit Of Road Signs
- Barrier
- Solid Lane Change(echo)
- Road Signs Recognition
- Snapshot

ADAS



- Fatigue Driving
- Call Making/Answering
- Smoking
- Distraction Driving
- Driver Abnormality
- Hands Off Steering Wheel
- Behavior Detection Failure
- Automatic Snapshot
- Driver Changed
- Drink Water
- Close Eyes
- Play Mobile Phone
- Sun Visor
- Overdrive Warning
- Seat Belt Not Fastened
- Driver Match Failed
- Driver Timeout
- Device Occlusion Failure

DSM

